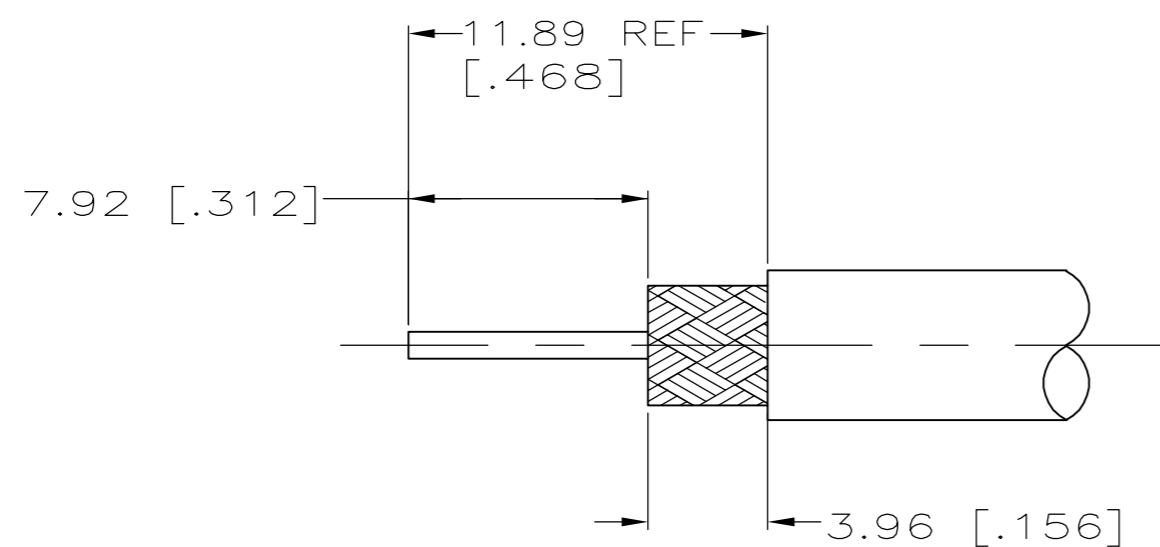
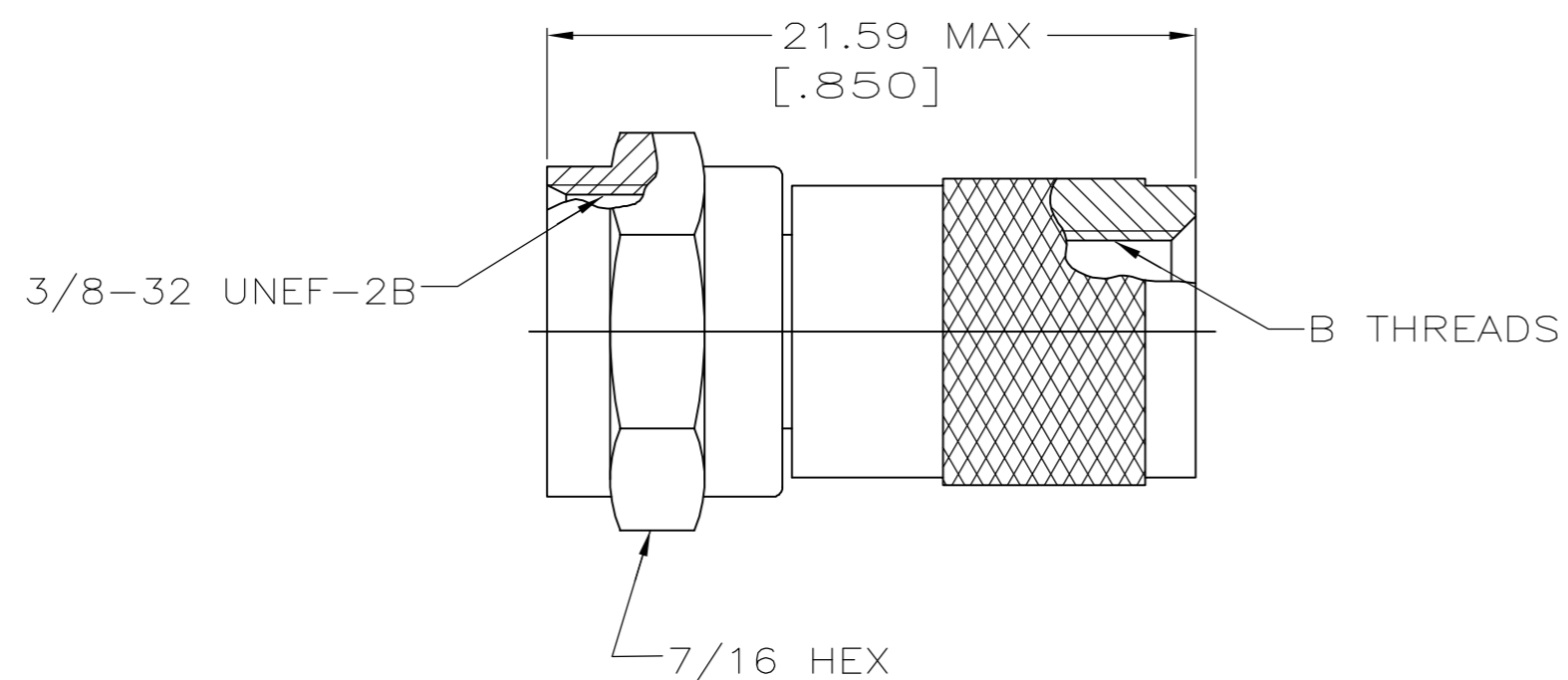


THIS DRAWING IS UNPUBLISHED. RELEASED FOR PUBLICATION
 © COPYRIGHT BY TYCO ELECTRONICS CORPORATION. ALL RIGHTS RESERVED.

LOC	DIST	REVISIONS			
P	LTR	DESCRIPTION	DATE	DWN	APVD
AJ	16	J	REVISED PER EC 0514-0456-04	18NOV05	BL JL

- ① BRASS PER QQ-B-626
- ② NICKEL PL PER QQ-N-290
- ③ FOR USE WITH RG-59/U CABLE
- ④ FOR USE WITH RG-6/U CABLE
- ⑤ PACKAGED 10 PER BAG IN WINDOW BOX
- ⑥ PACKAGED 100 PER DISPLAY BAG



RECOMMENDED STRIP LENGTH

SUPERSEDED BY 221540-2	④	M7 x 1	⑥	221540-8
SUPERSEDED BY 221540-2	④	M7 x 1	⑤	221540-7
SUPERSEDED BY 221540-1	③	1/4-20 UNC-2B	⑥	221540-6
SUPERSEDED BY 221540-1	③	1/4-20 UNC-2B	⑤	221540-5
	④	M7 x 1		221540-2
OBSOLETE	③	1/4-20 UNC-2B		221540-1
		CABLE	B	PART NUMBER

THIS DRAWING IS A CONTROLLED DOCUMENT.		DWN	J.SHAFFER	11-29-88	Tyco Electronics Corporation Harrisburg, PA 17105-3608
DIMENSIONS: INCHES		CHK	P.YEAGER	12-2-88	
TOLERANCES UNLESS OTHERWISE SPECIFIED:		APVD	NAME		
0 PLC	± -	PRODUCT SPEC	CONNECTOR, COAXIAL, RF, PLUG, SERIES F		
1 PLC	± -	APPLICATION SPEC	SIZE	CAGE CODE	DRAWING NO
2 PLC	± 0.41 [.016]		A2	00779	C=221540
3 PLC	± -		RESTRICTED TO	-	
4 PLC	± -				
ANGLES	± -	WEIGHT	-		
FINISH	②	CUSTOMER DRAWING	SCALE	SHEET	REV
			4:1	1 of 1	J